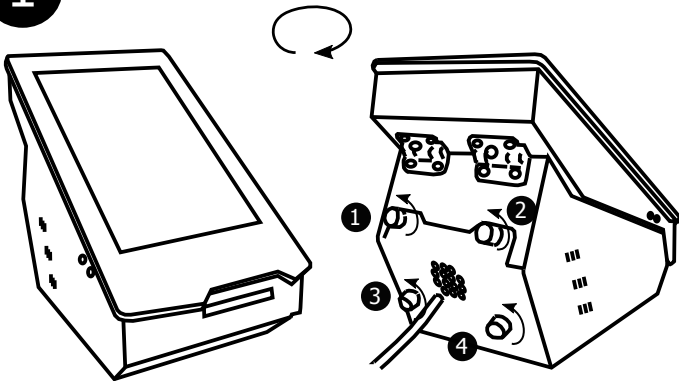


Document Nr: IG28 (EN)	Issue date: 09.09.2019	Revision Nr/Date: 00/	Page/Total: 1/1
---------------------------	---------------------------	--------------------------	--------------------

QUICK INSTALLATION GUIDE

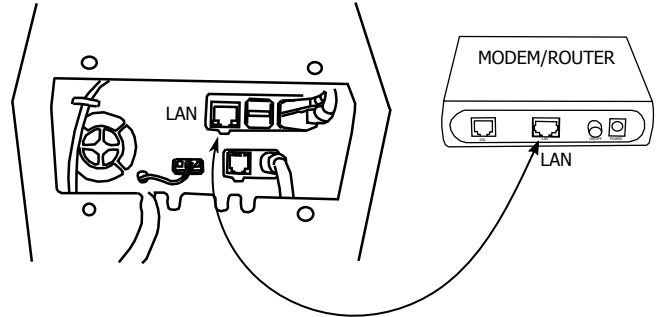
1



Turn back of device then remove 4 plastic head screws and remove plastic cover.

2

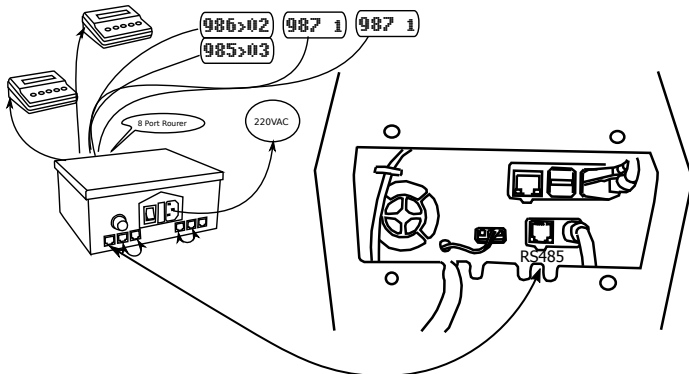
Network connection



Connect ethernet cable between device's ethernet socket and your modem. You can find IP address of ticket dispenser from the LCD screen later.

3

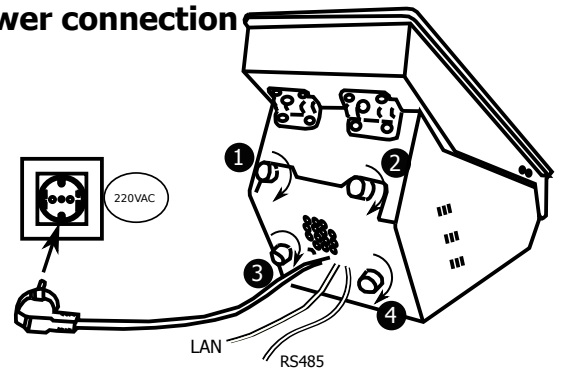
Hardware connection



Connect the device's RS485 output to the router with Q-smart hardware cable.

4

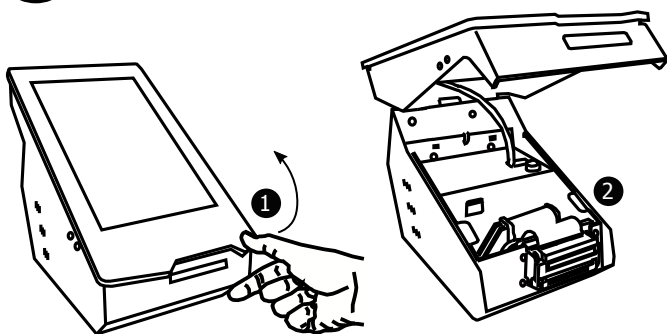
Power connection



After making all connections, the cables are passed through the gaps from plastic cover as in figure when cover is closed. Reinstall 4 plastic head screws and connect device to 220 VAC.

5

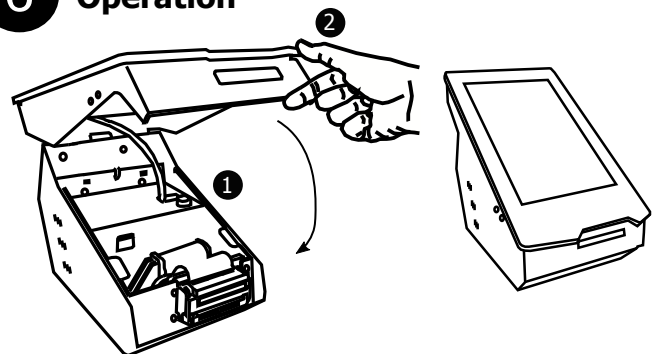
Paper loading



Open the cover by lifting it up from the location shown in section #1. Load the thermal paper roll in section #2 which is shown in figure.

6

Operation



Press the On/Off button as shown by #1 for 1 second and close the cover as shown by #2 in figure.